

World's Leading Manufacturer Of Fibreglass Whip Antennas



SPECIALISTS FOR VERY HIGH FREQUENCY

# VLP30-108 Low Profile Antenna

THE VLP30-108 IS A RUGGED, REDUCED HEIGHT, BROADBAND, VEHICULAR WHIP ANTENNA SYSTEM DESIGNED TO PROVIDE VHF COMMUNICATIONS FOR A RANGE OF TURRETED MILITARY VEHICLES.

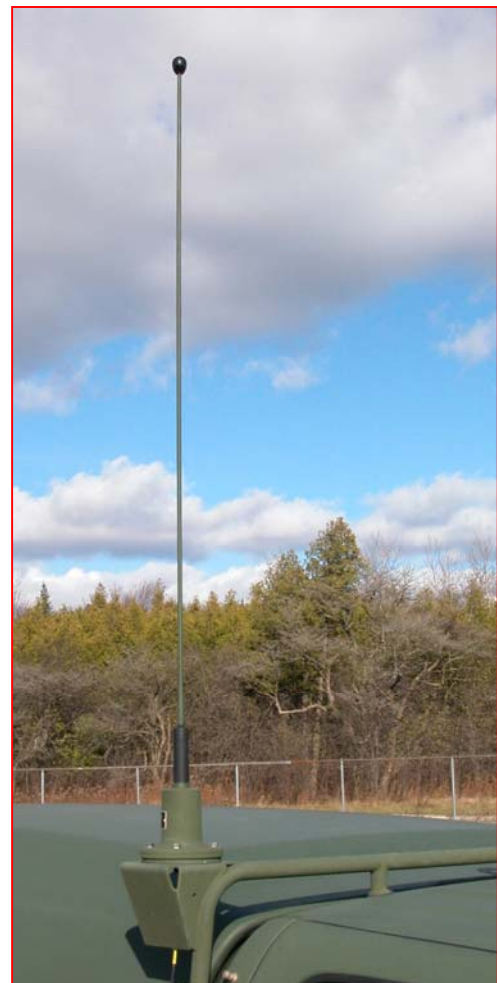
THE VLP30-108 CAN BE USED WITH ANY FREQUENCY AGILE RADIO THAT OPERATES WITHIN ITS 30-108 MHZ BAND, SUCH AS THE TCCCS/IRIS EQUIPMENT. IT IS IDEAL FOR USE ON TURRETED VEHICLES WHERE A TALLER WHIP, SUCH AS THE AS-3900A/VRC, IS UNDESIREABLE.

THE COMPLETE ANTENNA SYSTEM IS MADE UP OF OF A SINGLE WHIP ANTENNA AND AN IMPEDANCE MATCHING UNIT BASE ALLOWING A CONTINUOUS TRANSMITTING POWER LEVEL OF 100 WATTS WITH A MAXIMUM VSWR OF 3.5:1 OVER THE FREQUENCY BAND.

THE VLP30-108 MATCHING UNIT FEATURES EMP (ELECTRO-MAGNETIC PULSE) PROTECTION. HIGH VOLTAGE ISOLATION UP TO 14kVRMS IS BUILT INTO THE WHIP AND OFFERS SAFETY TO BOTH PERSONNEL AND EQUIPMENT IN THE CASE OF ACCIDENTAL CONTACT WITH OVERHEAD POWERLINES.

#### FEATURES:

- BROADBAND
- EXTREMELY RUGGED AND RELIABLE
- BASE MOUNT FOR PLACEMENT FLEXIBILITY
- REDUCED HEIGHT
- EASY ASSEMBLY/DISASSEMBLY



# QUICK REFERENCE DATA VLP30-108

## ELECTRICAL

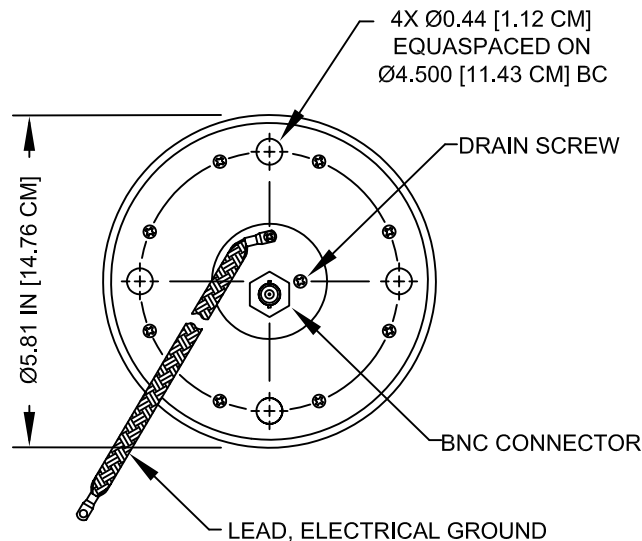
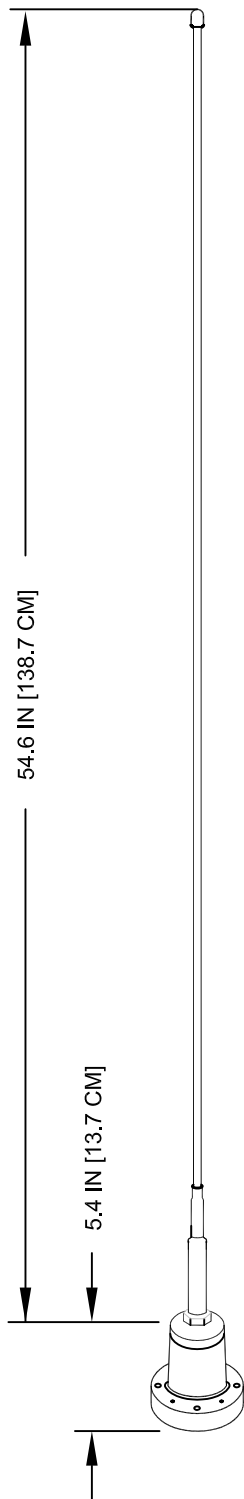
FREQUENCY RANGE	30-108 MHz
RADIATION PATTERN	OMNIDIRECTIONAL +/- 1dB
GAIN	-6 dB (AVERAGE) RELATIVE TO RESONANT QUARTER WAVE MONOPOLES OVER 30 TO 108 MHz
VSWR	3.5:1 MAXIMUM 2.5:1 AVERAGE
POLARIZATION	VERTICAL
POWER HANDLING	100 WATTS CONTINUOUS FOR 60 MIN
HIGH VOLTAGE PROTECTION	14kVrms
NOM INPUT IMPEDANCE	50 OHMS
INPUT CONNECTOR	BNC

## MECHANICAL

WEIGHT	4.4 LBS (2 KG)
HEIGHT	60 INCHES (1.52 M)

## ENVIRONMENTAL

TEMPERATURE	-60°F TO +160°F (-51°C TO +71°C)
VIBRATION	MIL-STD-810F, METHOD 514.5 PROCEDURE II, CATEGORY 5 AND PROCEDURE I, CATEGORY 20
WIND VELOCITY	50 MPH (80 KPH) OPERATING
ICE LOADING	1/2 INCH (13 MM) RADIAL
SHOCK	MIL-STD 810F, METHOD 522



## BOTTOM VIEW



P.O. BOX 603 GUELPH, ONTARIO, CANADA, N1H 6L3  
 TEL 519-824-3220 FAX 519-824-3411  
 INTERNET: [www.valcom-guelph.com](http://www.valcom-guelph.com) EMAIL: [enquiries@valcom-guelph.com](mailto:enquiries@valcom-guelph.com)  
 Specifications are subject to change without notice.