

World's Leading Manufacturer Of Fibreglass Whip Antennas



SPECIALISTS FOR VERY HIGH FREQUENCIES

VAS-1062 VHF Vehicular Antenna

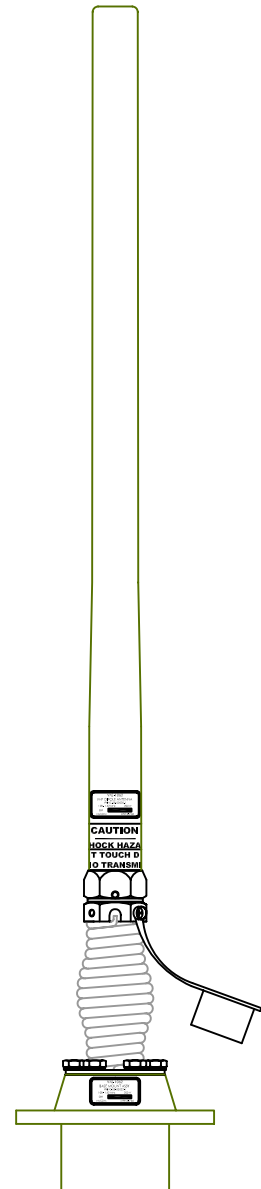
THE VAS-1062 IS A VHF DIPOLE ANTENNA DESIGNED TO PROVIDE VHF COMMUNICATIONS FOR A RANGE OF MILITARY APPLICATIONS. IT IS DESIGNED FOR USE WITH TODAY'S CUTTING EDGE, FREQUENCY AGILE RADIOS. THE VAS-1062 BOASTS A POWER HANDLING CAPABILITY OF 200 WATTS AND LESS THAN 3.0:1 VSWR ACROSS THE ENTIRE OPERATING BAND OF 108-163 MHz.

THE VAS-1062 IS DESIGNED TO WITHSTAND THE ROUGH CONDITIONS CHARACTERISTIC TO MILITARY VEHICULAR ENVIRONMENTS. THE ANTENNA IS CONSTRUCTED IN TWO SECTIONS; A ONE PIECE WHIP AND A BASE MOUNT. THE WHIP THREADS ONTO THE BASE SECTION TO FORM THE COMPLETE ASSEMBLY. THE WHIP PORTION IS CONSTRUCTED OF RESIN IMPREGNATED FIBERGLASS CLOTH TO CREATE A LIGHT WEIGHT YET DURABLE WHIP ANTENNA. THE BASE MOUNT IS EQUIPPED WITH A RUGGED SPRING WHICH IS USED FOR ABSORBING IMPACT ON THE WHIP AND ALLOWING THE WHIP TO BE TIED DOWN HORIZONTALLY.

FEATURES:

- PERFORMS WITH OR WITHOUT A GROUND PLANE
- EXTREMELY RUGGED AND RELIABLE DESIGN
- EASY ASSEMBLY/DISASSEMBLY
- MINIMUM MAINTENANCE

* PATENT PENDING



QUICK REFERENCE DATA VAS-1062

ELECTRICAL

FREQUENCY RANGE	108 - 163 MHz
RADIATION PATTERN	OMNIDIRECTIONAL
GAIN	-2dBi TO +2dBi
VSWR	3.0:1 MAXIMUM
POLARIZATION	VERTICAL
POWER HANDLING	200 WATTS CONTINUOUS
HIGH VOLTAGE PROTECTION	ELEMENT: 10 kVrms to MIL-STD-202
NOM INPUT IMPEDANCE	50 OHMS
INPUT CONNECTOR	BNC (STD), N-TYPE (OPTIONAL)

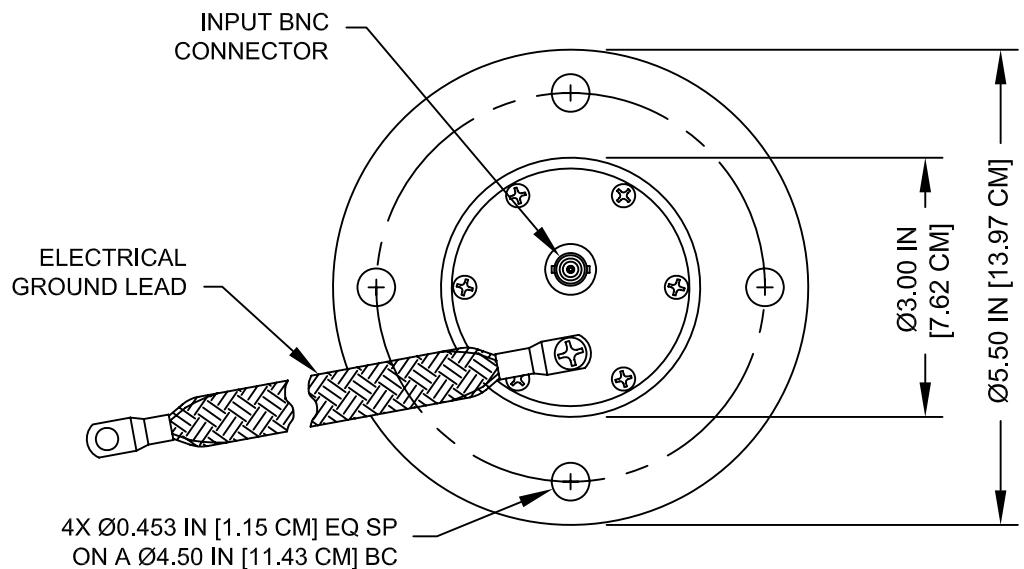
MECHANICAL

WEIGHT	6.50 LBS (2.95 KG)
OVERALL HEIGHT	33.0 INCHES (83.82 CM)
TEMPERATURE	-60°F TO +160°F (-51°C TO +71°C)
WIND VELOCITY	93 MPH (150 KPH) OPERATING

1.25 IN
[3.18 CM]

31.04 IN [78.84 CM]
24.77 IN [62.92 CM]

1.95 IN [4.95 CM]



BOTTOM VIEW



P.O. BOX 603 GUELPH, ONTARIO, CANADA, N1H 6L3

TEL 519-824-3220 FAX 519-824-3411

INTERNET: www.valcom-guelph.com EMAIL: enquiries@valcom-guelph.com

Specifications are subject to change without notice.