

World's Leading Manufacturer Of Fibreglass Whip Antennas



SPECIALISTS WHERE RELIABILITY COUNTS

BBMT-50 / BBMT-70 Broadband (Receiving) Matching Transformer

VALCOM'S BBMT-50 AND BBMT-70 CONSIST OF MATCHING TRANSFORMERS OR BALUNS TO PRODUCE A GOOD IMPEDANCE MATCH BETWEEN A RECEIVING ANTENNA AND A 50 OHM OR 70 OHM COAXIAL CABLE.

THE MATCHING TRANSFORMER IN BOTH UNITS IS OF A BROADBAND TOROIDAL DESIGN. NORMALLY, THE STANDARD BBMT-50/70 IS USED TO MATCH ONE OF VALCOM'S 35 FOOT VERTICAL WHIP ANTENNAS TO A RECEIVER IN THE FREQUENCY RANGE OF 100 KHZ TO 30 MHZ.

OTHER ANTENNA HEIGHTS AND CONFIGURATIONS CAN ALSO BE MATCHED BUT THE ANTENNA MUST BE SPECIFIED SO THE OPTIMUM TRANSFORMER DESIGN CAN BE USED. IF A NARROWER FREQUENCY RANGE IS SPECIFIED, A MATCHING TRANSFORMER DESIGN IS CHOSEN TO MATCH THE ANTENNA AND THE RECEIVING FREQUENCY RANGE.

FOR BEST RECEIVER PERFORMANCE , THE ANTENNA AND OPERATING FREQUENCY RANGE MUST BE SPECIFIED SO THE BBMT-50/70 CAN BE DESIGNED TO GIVE OPTIMUM MATCHING CHARACTERISTICS.

TYPICAL APPLICATIONS:
35 FOOT AND UP
VERTICAL WHIP MATCHING

FEATURES:

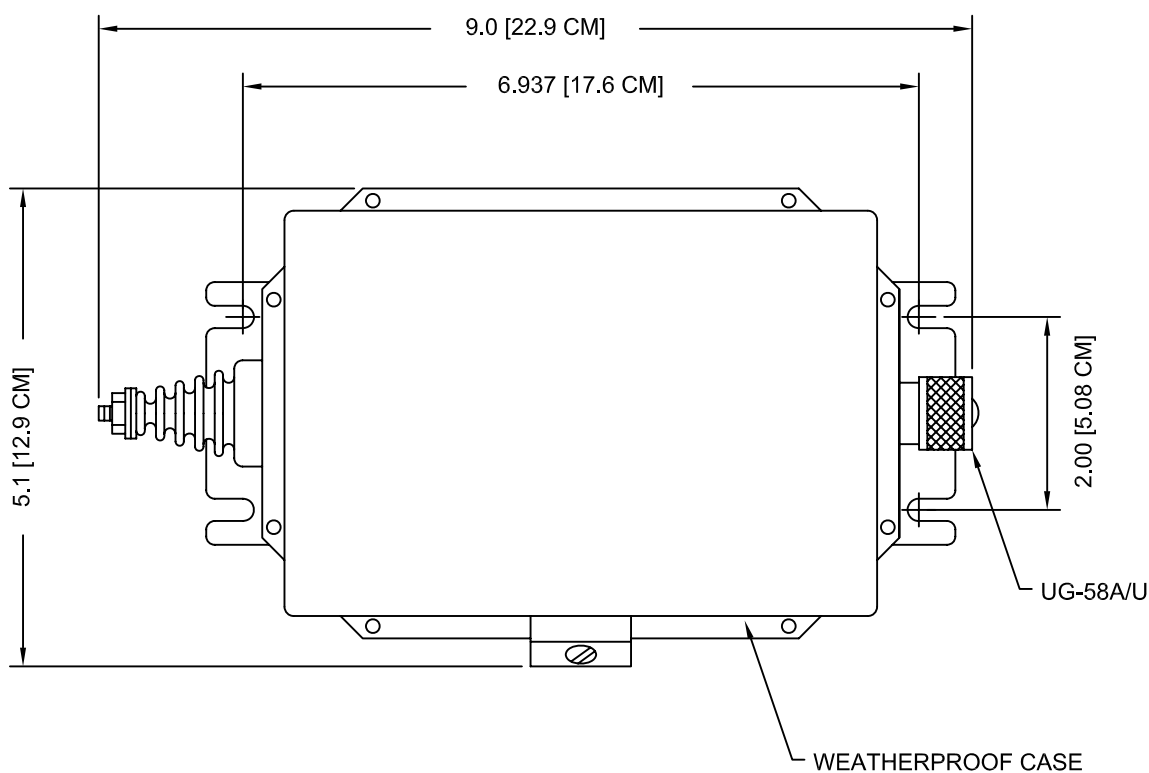
- RUGGED
- BROADBAND
- TOROIDAL DESIGN



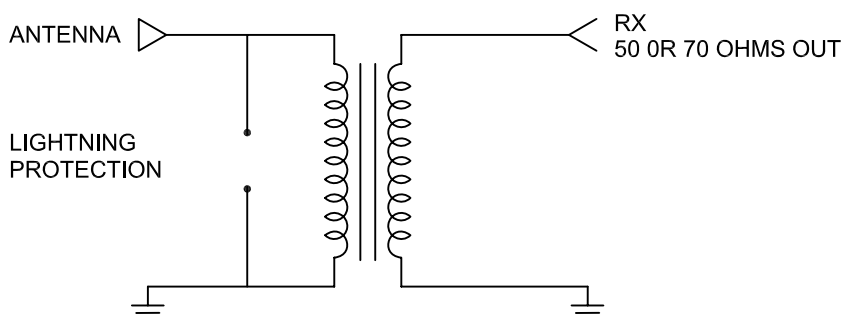
BBMT-50/70 QUICK REFERENCE DATA

ELECTRICAL CHARACTERISTICS

FREQUENCY RANGE	100 KHz TO 30 MHz
ANTENNA INPUT IMPEDANCE	VARIABLE WITH FREQUENCY
OUTPUT IMPEDANCE	50 OR 70 OHMS UNBALANCED
IMPEDANCE GAIN	GREATER THAN 3db
LIGHTNING PROTECTION	150 VOLT SPARK GAP
TEMPERATURE RANGE	-60°F TO 150°F (-50°C TO 65°C)



DIMENSIONAL DATA



SCHEMATIC DIAGRAM

