

World's Leading Manufacturer Of Fibreglass Whip Antennas



SPECIALISTS FOR ULTRA HIGH FREQUENCY

AS-1735/SRC Around-the-mast UHF Antenna

NSN 5985-00-127-3306

THE AS-1735/SRC, UHF ANTENNA IS A RUGGED, VERTICALLY POLARIZED, BROADBAND ANTENNA COVERING THE FREQUENCY RANGE OF 225 MHz TO 400 MHz. THIS LIGHT WEIGHT ANTENNA HAS AN ALL ALUMINUM OUTER STRUCTURE WHICH CAN BE MOUNTED AROUND A EXISTING MAST RANGING FROM 4 INCHES TO 12 INCHES IN DIAMETER. AS AN OPTION, THE AS-1735/SRC CAN ALSO BE MADE TO MOUNT ONTO MASTS OF UP TO 15 INCHES IN DIAMETER.

THE ANTENNA IS DESIGNED FOR USE UNDER THE SEVERE ENVIRONMENTAL CONDITIONS ENCOUNTERED IN A SHIPBOARD ENVIRONMENT.

THE FOUR RADIATING ELEMENTS ARE FED IN-PHASE FROM A SINGLE INPUT AND PROVIDE OMNI-DIRECTIONAL RADIATION IN THE AZIMUTH PLANE.

THE AS-1735/SRC ANTENNA CAN BE USED IN EITHER THE TRANSMIT MODE OR THE RECEIVE MODE WITHOUT ANY ADJUSTMENTS. IT CAN HANDLE A PEAK ENVELOPE POWER (PEP) OF 2 KW AND EXHIBITS A NOMINAL INPUT IMPEDANCE OF 50 OHMS AND A VSWR OF LESS THAN 1.8:1 OVER THE ENTIRE FREQUENCY RANGE OF 225 MHz TO 400 MHz.

THE ANTENNA HAS BEEN DESIGNED TO MEET THE VIBRATION REQUIREMENTS OF MIL-STD-167, TYPE I AND II, THE SHOCK REQUIREMENTS OF MIL-S-901 AND THE ENVIRONMENTAL REQUIREMENTS OF MIL-E-16400H.



FEATURES:

- BROADBAND
- HIGH POWER
- LOW VSWR
- LIGHT-WEIGHT
- SHIPBOARD APPLICATIONS
- RECEIVING OR TRANSMITTING MODE

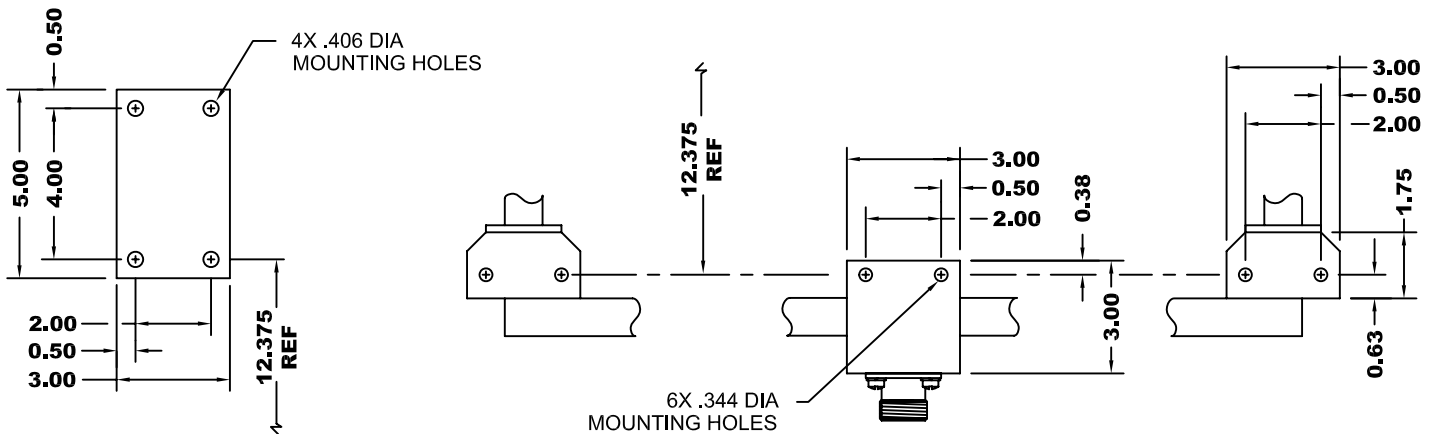
AS-1735/SRC QUICK REFERENCE DATA

ELECTRICAL

FREQUENCY	225 MHz TO 400 MHz
POLARIZATION	VERTICAL
RADIATION PATTERN	OMNIDIRECTIONAL WITHIN ± 2 dB WHEN MOUNTED ON 11 INCH DIAMETERS OR LESS
GAIN	+2 dBi OVER AN ISOTROPIC SOURCE
IMPEDANCE	50 OHMS (NOMINAL)
VSWR	LESS THAN 1.8:1
POWER HANDLING	2 kW PEP (peak Envelope Power) 1 kW AVERAGE
INPUT CONNECTOR	UG-352/U (LC-TYPE)

MECHANICAL

WEIGHT	31 lbs (14.1 kg)
MOUNTING POSITIONS	VERTICAL MASTS OF 4 TO 12 INCH DIAMETERS
FINISH	EPOXY POLYAMIDE PAINT, COLOUR HAZE GREY
OVERALL DIMENSIONS	29.75 IN X 29.75 IN X 28.25 IN HIGH (75.6 CM X 75.6 CM X 71.8 CM HIGH)
SHOCK	MIL-S-910C, GRADE A
VIBRATION	MIL-STD-167, TYPE I
TEMPERATURE -OPERATING	-76°F TO 140°F (-50°C TO 65°C)
-STORAGE	-140°F TO 158°F (-95°C TO 70°C)
WIND LOADING -OPERATING	75 MPH (120 KM/H)
-SURVIVAL	120 MPH (192 KM/H)



DIPOLE MOUNT
(4 PLACES, 90° APART)

LOWER FEED MOUNTS
(AS SHOWN, 90° APART)

